

ZDS 型

锥形转子制动电动机

ZDS conical rotor brake motor



产品特性

ZDS 双速子母电机是由两台锥形转子三相异步电动机通过中间慢速驱动装置联接起来的一种复合电动机。其中大功率一台为主机（母机），另一台小功率为辅机（子机），具有快慢两种速度。本系列电机为卧式电动机，机座不带底脚，采用圆锥面制动器，可频繁起动。已通过 ISO9001 国际质量体系认证。

本系列电机除与电动葫芦配套外，还适用于起重运输等机械。

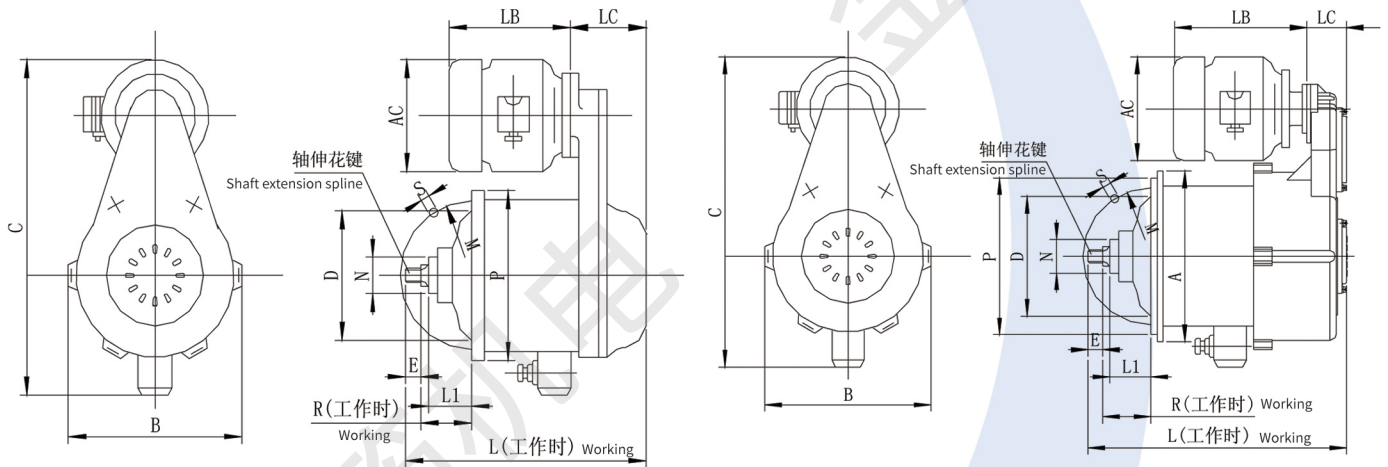
Product Characteristics

ZDS double-speed mother motor is a kind of composite motor connected by two conical rotor three-phase asynchronous motors through intermediate slow-speed drive device. Both of them, the larger power is main machine (master machine), the other is auxiliary machine (sub machine), with two speeds. This series of motors are horizontal motors with no base foot, and the conical brake can start frequently. In addition, it has passed ISO9001 international quality system certification.

The series of motors is not only equipped with electric hoists, but also suitable for lifting and transportation machinery, etc.

外形及技术参数：

Outline and technical parameters:



注:左图为ZDS0.4/0.8-ZDS 0.8/7.5电机示意图,右图为ZDS2.2/13-ZDS3.0/18.5-6电机示意图

Note: The schematic diagram of motor on the left shows ZDS0.4/0.8- ZDS0.8/7.5

Note: The schematic diagram of motor on the right shows ZDS2.2/13- ZDS3.0/18.5-6

ZDS系列电动机外形及安装尺寸图、表(mm)

ZDS series of motor outline and installation dimension chart/ table

型号及功率 (kW) Type and power (kW)	安装尺寸及公差 Installation dimensions and tolerances										外形尺寸 Outline dimension					
	轴伸花键 Shaft extension spline	E	L1	R 工作时 Working	A	P	M	D	N	S	AC	LC	LB	L 工作时 Working	B	C
ZDS0.4/0.8	6D-20f9×16×4d11	22	59.5	70	-	220	196	177	110	10	155	115	250	332	274	405
ZDS0.4/1.5				71	-	235	205	172					250	359		
ZDS0.4/3.0	6D-28f9×23×6c11	30	81	103	-	290	260	220	120	13	155	110	250	410	328	482
ZDS0.4/4.5			77	94	-	320	286	223					250	423		
ZDS0.8/7.5	10D-35d9×28×4c11	35	97	118	-	380	340	260	160	17	209	143	289	510	410	606
ZDS2.2/13	10D-40d9×32×5c11	38	137	170	-	455	415	300	200		209	73	341	694	445	672
ZDS2.2/18.5	10D-45e8×36×5c11	55	168	187	-	530	450			490	19		209	341		
ZDS2.2/18.5D			158	200	550			460	500			345			200	19
ZDS3.0/24	10D-52d9×42×6c11	55	173	200	550	460	500	345	200	19	272	77	367	807.5	470	806
ZDS3.0/18.5-6																