

ZDS系列

方型双速锥形转子三相异步电动机

ZDS series of square double-speed conical rotor three-phase asynchronous motor



产品特性

ZDS 方型双速电机是由两台锥形转子三相异步电动机，通过中间慢速驱动装置联接起来的一种复合电动机。其中大功率一台为主机（母机）为 ZD 方型电机，另一台小功率为辅机（子机），具有快慢两种速度。本系列电机为卧式电动机，机座不带底脚，采用圆锥面制动器，可频繁起动。已通过 ISO9001 国际质量体系认证。

本系列电机除与电动葫芦配套外，还适用于起重运输等机械。

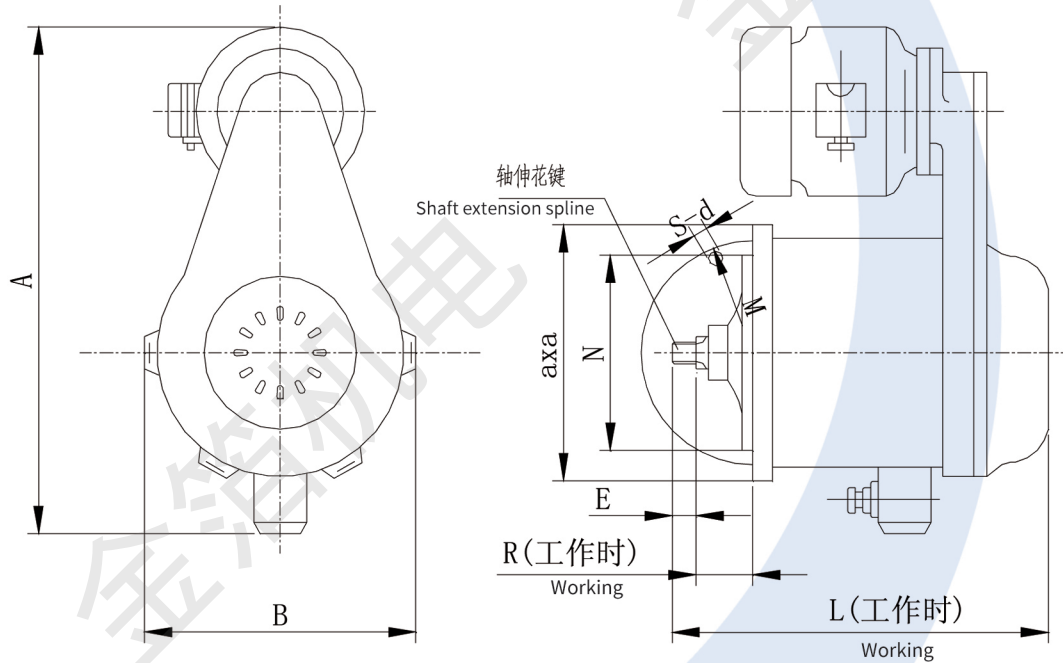
Product Characteristics

ZDS double-speed motor is a kind of composite motor connected by two conical rotor three-phase asynchronous motors through intermediate slow-speed drive device. Both of them, the larger power is main machine (master machine), the other is auxiliary machine (sub machine), with two speeds. This series of motors are horizontal motors with no base foot, and the conical brake can start frequently. In addition, it has passed ISO9001 international quality system certification.

The series of motors is not only equipped with electric hoists, but also suitable for lifting and transportation machinery, etc.

外形及安装尺寸：

Outline and installation dimension:



型号 Type	安装尺寸 Installation dimensions								外形尺寸 Outline dimension		
	轴伸矩形花键 Shaft extension square spline	E	R 工作时 Working	N	M	d	S	axa	A	B	L 工作时 Working
ZDS 4.5/0.4	6D-28x23x6	28	23.5	210h6	312	13	4	280x280	490	328	453
ZDS 7.5/0.8	EXT18Zx2mx30Px5d	42	13	245h6	365	17	4	335x335	620	398	510
ZDS 13/1.5	10D-45x37x6	42	37	336h6	470	19	4	425x425	680	362	678
ZDS 15/1.5											
ZDS18.5/2.2	10D-45x37x6	42	37	336h6	470	19	4	425x425	680	362	703