

YEZ 系列 建筑机械用

锥形转子三相异步电动机

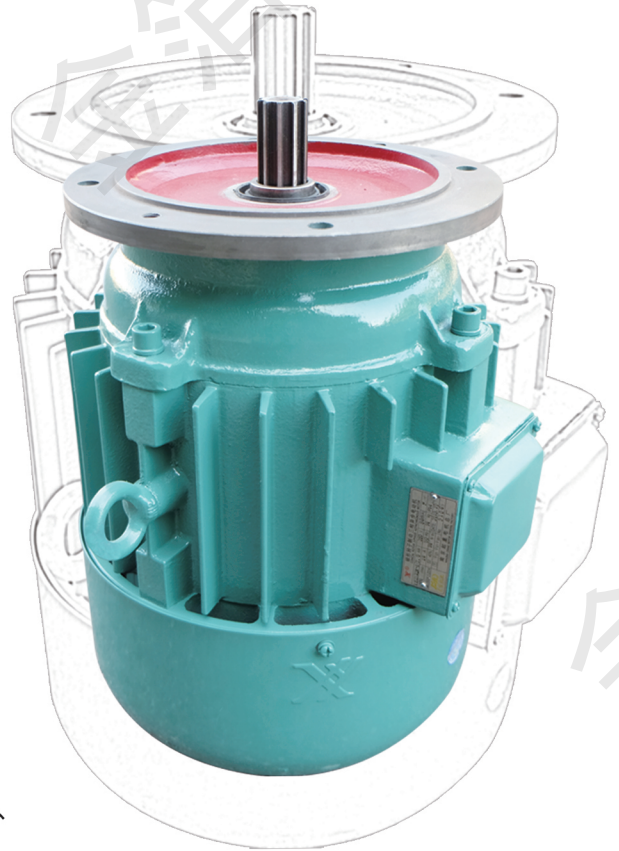
YEZ conical rotor three-phase asynchronous motor
for construction machinery

产品特性

YEZ 系列锥形转子三相异步电动机为封闭，自扇冷式，带制动装置的笼型电动机，是专为建筑机械（如建筑卷扬机、混凝土搅拌机等设备）配套而设计的产品，电动机和制动装置融为一体，具有起动转矩大、过载能力强、制动安全可靠、结构紧凑、体积小、重量轻、维修调节方便、可频繁起动等特点。联接安装尺寸与 Y 系列同型号电机具有广泛的适用性。

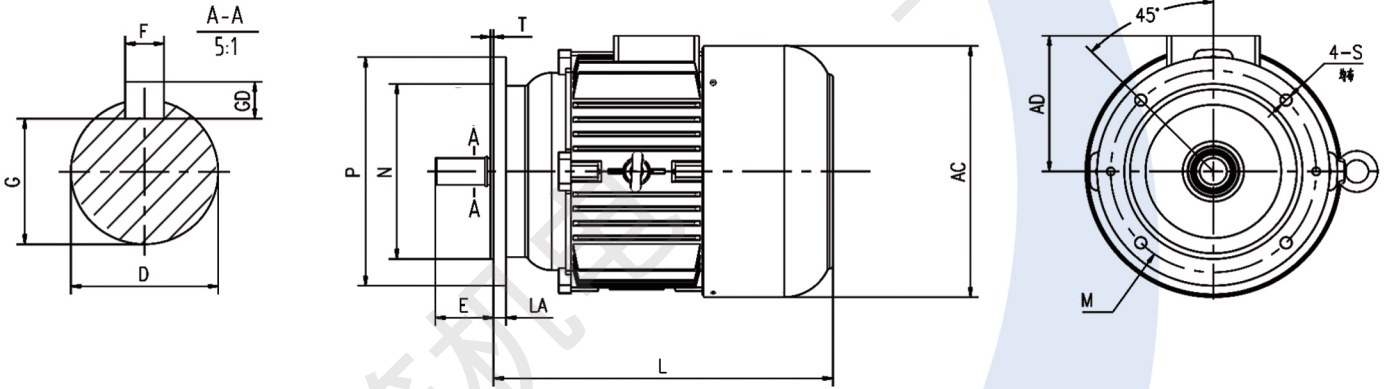
Product Characteristics

YEZ series of conical rotor three-phase asynchronous motors are closed, fan-cooled, cage-type motors with brakes. They are specially designed for building machinery (such as building winches, concrete mixers and other equipment). They integrate motor and braking device as a whole, with the characteristics of large starting torque, strong overload capacity, safe and reliable braking, compact structure, small size, light weight, convenient maintenance and adjustment, and frequent starting. The connection installation dimensions and Y series of the same type of motor are widely applicable.



YEZ 系列电机外形及安装尺寸：

Outline and installation dimensions of YEZ series motors:



型号及功率 Type and power	键型 Key type	E	轴伸端尺寸 Size of shaft extension				ΦP	ΦN	T	LA	L	AC	AD	ΦM	ΦS
			D	G	F	GD									
YEZ90S-4 0.8kW	平键 Flat Key	50	24	20	8	7	200	130h8	4	12	303	112	165	12	
YEZ90L-4 1.5kW	花键 Spline 平键 Flat Key		6D-25e9×22h15×6c11								331	116			
YEZ100-4 2.2kW	花键 Spline	60	6D-28e9×23h15×6c11				250	180h8	5	10	334	208	104	215	
YEZ112S-4 3.0kW	平键 Flat Key	60	28	24	8	7					360	160			
YEZ112L-4 4.5kW	花键 Spline 平键 Flat Key	55 60	6D-28e9×23h15×6c11				300	230h8	4	16	381	272	158	15	
YEZ132S-4 5.5kW	花键 Spline 平键 Flat Key	75	10D-35e9×28h15×4c11								413	328	180		265
YEZ132M-4 7.5kW	花键 Spline 平键 Flat Key		38	33	10	8	436								
YEZ160S-4 11kW	花键 Spline 平键 Flat Key	95 105	10D-40e9×32h15×5c11				350	250h8	5	18	534	400	221	300	19
YEZ160M-4 13kW	花键 Spline 平键 Flat Key	95 105	10D-40e9×32h15×5c11								400				
YEZ160L-4 15kW	花键 Spline 平键 Flat Key	100 105	6D-45e9×40h15×12c10				400	300h8	5	20	580	514	248	350	19
YEZ180M-4 18.5kW	花键 Spline 平键 Flat Key	100 105	8D-48e9×42h15×8c11								8D-48e9×42h15×8c11				
YEZ200L ₂ -6 22kW	花键 Spline	100	8D-54e9×45h15×9c11				400	300h8	5	20	625	514	248	350	19